

## COAXIAL RF SURGE PROTECTION

# IS-B50 Series

The IS-B50 Series of DC block surge arrestors are designed to protect against lightning events and are ideal for HF, UHF and VHF radios. The IS-B50 family of RF protectors can be used for general radio use with frequency ranges between 1.5 MHz to 1000 MHz.



### FEATURES

- Broad frequency ranges from 1.5 MHz to 1000 MHz
- Connectors: N-Type and UHF
- High power versions capable to 3kW
- Industry leading surge rating of 20kA
- Nuclear EMP versions available with N-Type connectors
- Flexible bulkhead and bracket mounting options

### STANDARDS

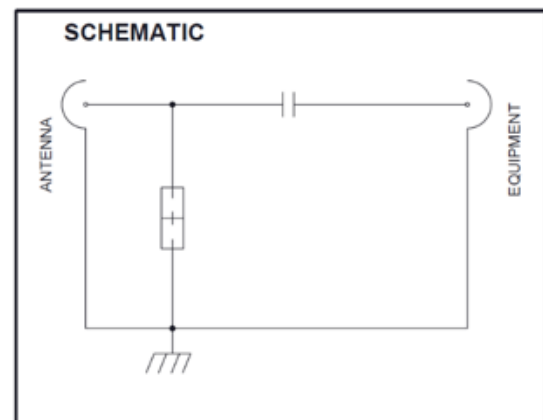
- CE Compliant
- RoHS Compliant

### GENERAL SPECIFICATIONS

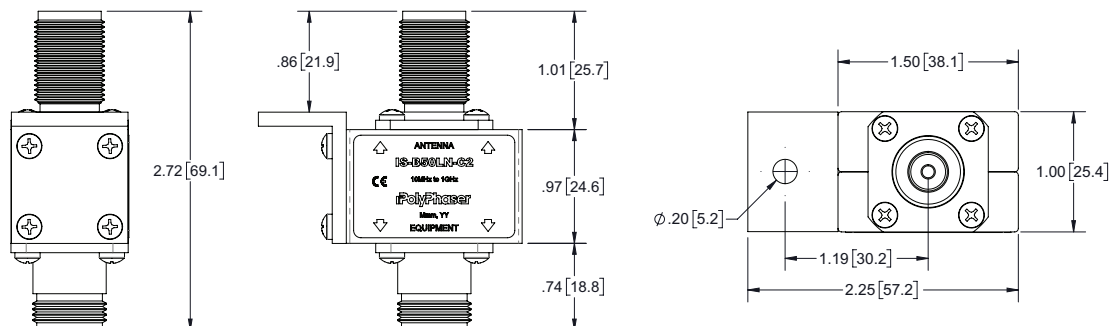
Insertion Loss	≤0.1dB
VSWR	≤1.2:1 or Better Over Frequency Range
Return Loss	<20dB
Max Surge	20 kA 8/20μs Waveform
Weathering Kit Available	Part Number: WK-1

### PATENTED LIGHTNING ARRESTOR TECHNOLOGY

The IS-B50 product family is based on PolyPhaser's market establishing surge protection technology. This engineered surge suppressor has been the cornerstone for ham radio operators, land mobile communications and remote industrial monitoring. The IS-B50 is approved by major OEMs for use in critical applications such as emergency response, SCADA and public safety communications.



### DIMENSIONS



## AVAILABLE IS-B50 PART NUMBERS

Part Number	Frequency Range	Connector	Mounting Configuration	RF Power**	Let-Through Energy
IS-B50HN-C0	1.5MHz - 700MHz	N-Type	Bulkhead/Bracket	Up to 1.5kW	≤20μJ
IS-B50HN-C0-MA	1.5MHz - 700MHz	N-Type	Bulkhead/Bracket	Up to 1.5kW	≤20μJ
IS-B50HN-C1-ME	1.5MHz - 700MHz	N-Type	Bulkhead/Bracket	Up to 500W	≤20μJ
IS-B50HN-C2	125MHz - 1GHz	N-Type	Bulkhead/Bracket	Up to 500W	≤800μJ
IS-B50HN-C2-MA	125MHz - 1GHz	N-Type	Bulkhead/Bracket	Up to 500W	≤800μJ
IS-B50HN-C2-ME	125MHz - 1GHz	N-Type	Bulkhead/Bracket	Up to 500W	≤800μJ
IS-B50HU-C0	1.5MHz - 700MHz	UHF	Bulkhead/Bracket	Up to 3kW	≤20mJ
IS-B50LN-C2	1.5MHz - 700MHz	N-Type	Bulkhead/Bracket	Up to 1.5kW	≤10mJ
IS-B50LN-C2-MA	1.5MHz - 700MHz	N-Type	Bulkhead/Bracket	Up to 1.5kW	≤10mJ
IS-B50LN-C2-ME	1.5MHz - 700MHz	N-Type	Bulkhead/Bracket	Up to 1.5kW	≤10mJ
IS-B50LU-C0	125MHz - 1GHz	UHF	Bulkhead/Bracket	Up to 2kW	≤220μJ
IS-B50LU-C0-MA	125MHz - 1GHz	UHF	Bulkhead/Bracket	Up to 2kW	≤220μJ
IS-B50LU-C1-ME	125MHz - 1GHz	UHF	Bulkhead/Bracket	Up to 375W	≤220μJ
IS-NEMP-C0	1.5MHz - 700MHz	N-Type	Bulkhead/Bracket	–	–
IS-NEMP-C0-MA	1.5MHz - 700MHz	N-Type	Bulkhead/Bracket	–	–
IS-NEMP-C1-ME	50MHz - 700MHz	N-Type	Bulkhead/Bracket	Up to 200W	≤313μJ
IS-NEMP-C2	125MHz - 1GHz	N-Type	Bulkhead/Bracket	Up to 200W	≤250μJ
IS-NEMP-C2-MA	125MHz - 1GHz	N-Type	Bulkhead/Bracket	Up to 200W	≤250μJ
IS-NEMP-C2-ME	125MHz - 1GHz	N-Type	Bulkhead/Bracket	Up to 200W	≤250μJ

- MA for Male Surge (Antenna) Connector
- ME for Male Protected (Equipment) Connector

\*\*Power depends on frequency being used – see individual product specifications for details